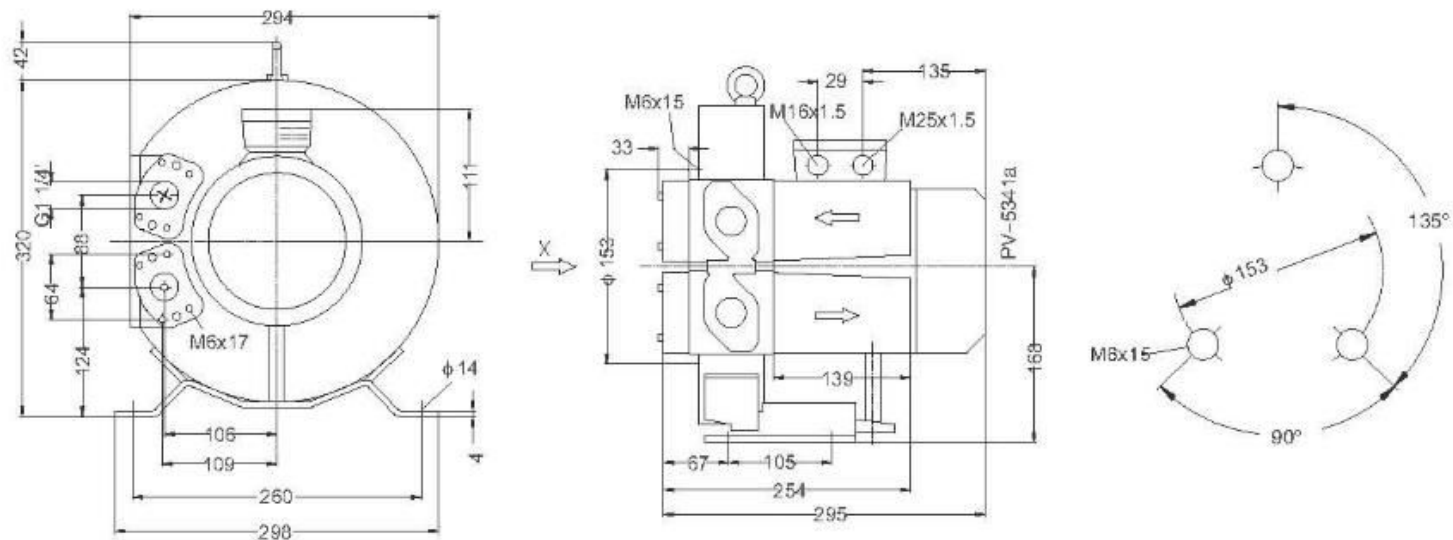


Manvac blower installation drawing



Manvac blower parameter

Model	Frequency	Output	voltage	Current	airflow	pressure		noise	Weight
						vacuum mbar	compressor mbar		
	HZ	KW	V	A	m ³ /h			dB(A)	kg

3~ 50/60Hz IP54 INSULATION class F

4MV 210 H16	50	0.55	200-240 Δ/345-415Y	2.8Δ/1.6Y	47	-230	290	57	16
4MV 210 H16	60	0.63	220-275 Δ/380-480Y	3.0Δ/1.7Y	57	-270	320	62	16